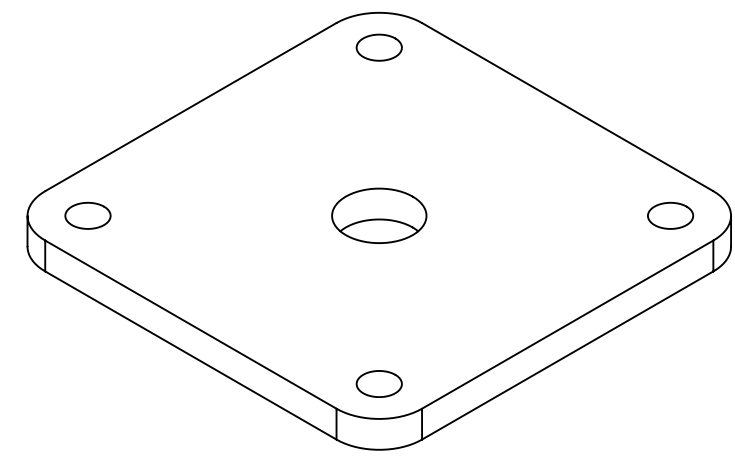
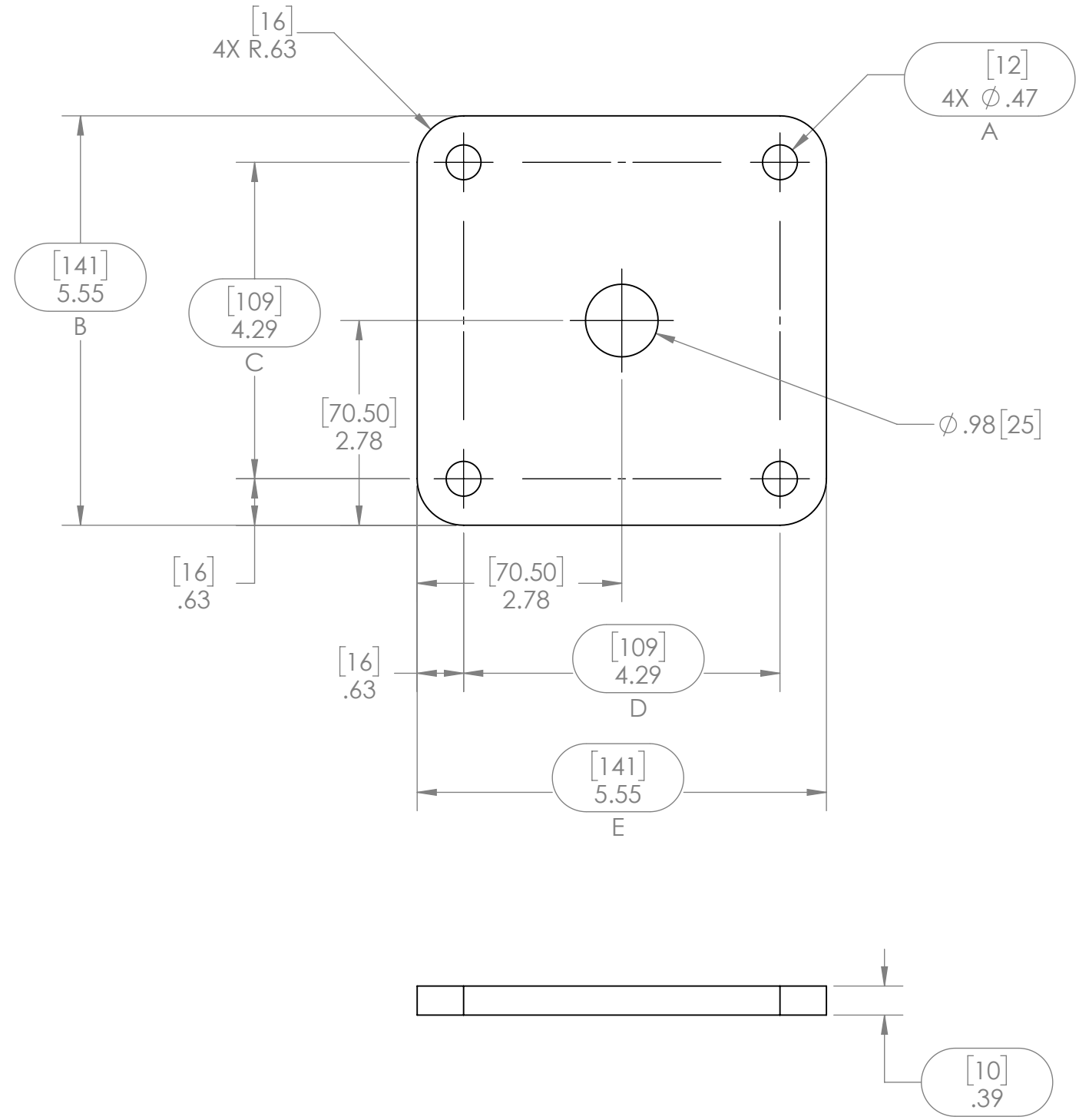


ITEM NO.	PART NUMBER	DESCRIPTION	QTY.
1	R3935-03606	AL13 HOME POST BASE PLATE 3"	1



-GENERAL NOTES:
 1. ALL DIMENSIONS ARE SHOWN IN INCHES [MM]
 2. ALL DIMENSIONS ARE BEFORE ANY FINISHING OR COATING
 3. ALL DIMENSIONS ARE ± 0.5mm (UNLESS OTHERWISE NOTED)
 4. SEE PRODUCT LINE NOTES PAGE R3900-00001
 5. MATERIAL: 6061-T6 (SS)
 6. WEIGHT: 1.11 LBM
 7. WARRANTY: N/A

This drawing and the information contained on this drawing are the property of Fortress Iron, LP, Garland, TX, USA, and is not to be copied electronically or manually, or reproduced in any manner, or divulged to other sources, without the expressed written permission of an authorized representative of Fortress Iron, LP.

FORTRESS
 THE FORTRESS COMPANY
 Innovative Building Solutions

Fortress Iron, LP
 1720 N 1st Street
 Garland, Tx 75040

REV	DATE	BY	DESCRIPTION
C	2/5/20	KC	STANDARDIZE

DESCRIPTION:
 AL13 HOME POST BASE PLATE 3"

DRAWN BY: geoffl	SCALE: 1:2
DATE: 08/25/2016	DIVISION: Fortress Railing

SHEET: 1 OF 1	ITEM #: R3935-03606	REV: C
---------------	---------------------	--------