

PROSERIES

HARDWARE

TABLE OF CONTENTS

English

Introduction.....	3
Installation.....	4

INTRODUCTION

READ INSTRUCTIONS COMPLETELY BEFORE STARTING INSTALLATION

It is the responsibility of the installer to meet all code and safety requirements, and to obtain all required building permits. The fencing installer should determine and implement appropriate installation techniques for each installation situation. Fortress Building Products and its distributors shall not be held liable for improper or unsafe installations.

Before You Begin

Contact your local Building Code Department for required permits and laws regarding your fence project.

If applicable, also contact your Home Owners Association for rules and regulations regarding fence installations in your neighborhood.

Call 811 before you dig post holes to locate and identify any buried utilities.

Note

- When cutting Fortress Fencing, it is very important to complete the following at cut points:
- Remove all metal shavings from the cut area.
- File any sharp edges left by cutting. Thoroughly wipe and remove any filings, grime, or dirt.
- Apply two coats of Fortress zinc based touch-up paint to the cut area. If touch up is at rail ends, allow paint to dry before connecting bracket to post.
- Be sure to remove any metal shavings from the surface of Fence.

Torx Safety Tips

- Always use the lowest speed setting on drill.
- To reduce chance of bit breakage, start tightening with drill on low torque setting and work up until screw is secured.

Required Tools



Goggles



Tape
Measurer



Channel
Lock Pliers



Pencil



Concrete Drill Bit:
3/4" [19mm]



Drill



Bit
Extender



T-25
Driver Bit

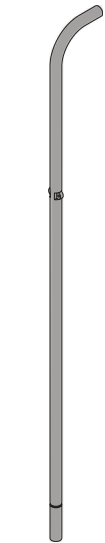
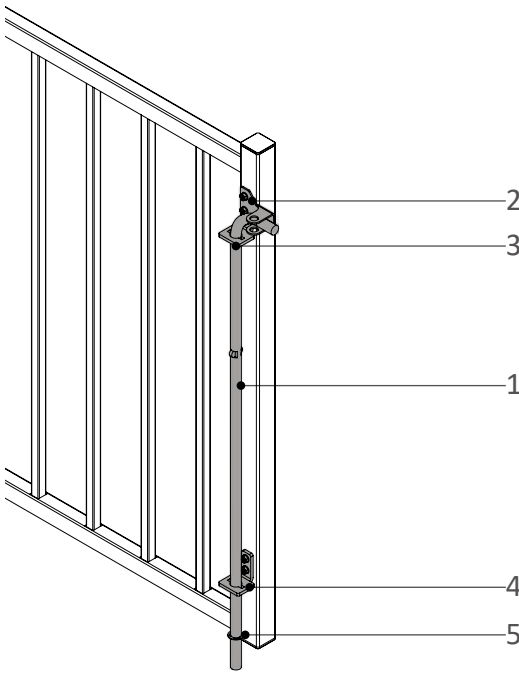


10mm
Socket

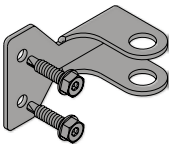


Nut Driver Bit:
[10mm]

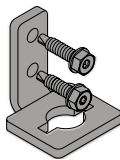
PRO-SERIES DROP ROD



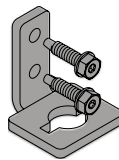
1. Drop
Rod



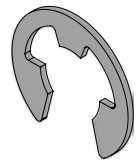
2. Locking
Plate



3. Upper
Rod Clip



4. Lower
Rod Clip

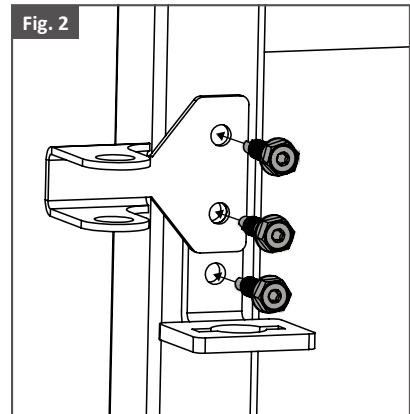
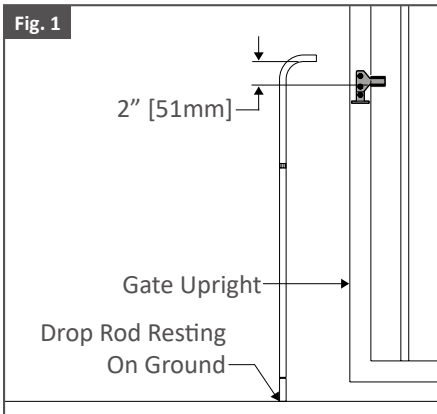


5. Retaining
Clip

DROP ROD INSTALLATION

Step 1: Install Locking Plate & Upper Rod Clip

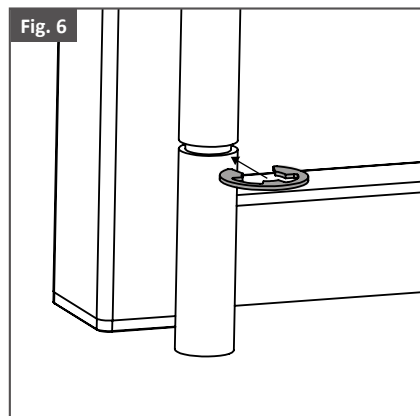
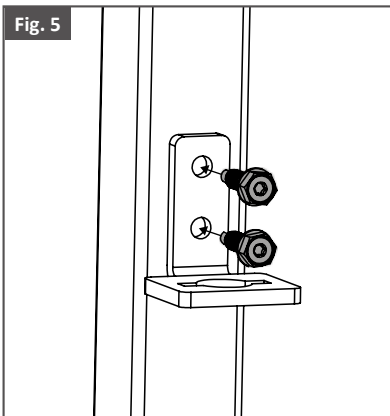
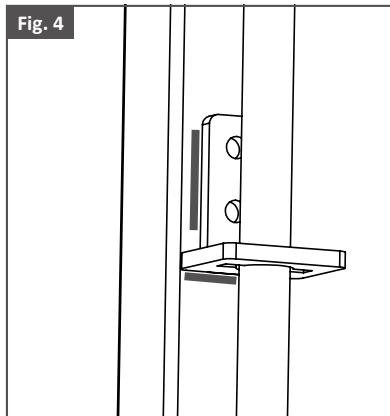
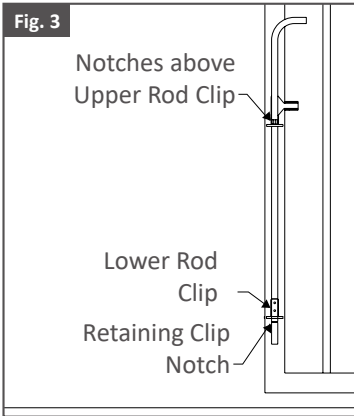
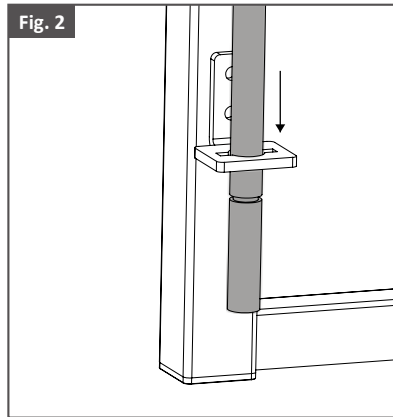
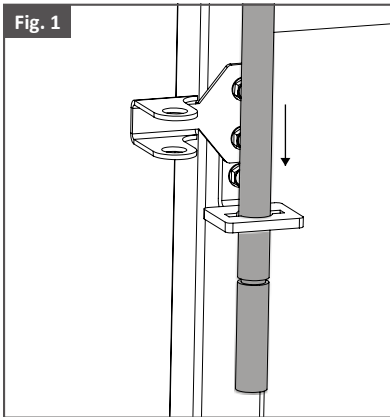
1. Use the Drop Rod to find the placement for the brackets.
2. Place the Drop Rod on the surface standing up and level next to the gate upright.
3. The Locking Plate should be mounted 2" [51mm] below the bend in the drop rod. As shown in Fig 1.
4. Center the Locking Plate and Upper Rod Clip on the upright and install with the 3 provided self-drilling screws using a 10mm Nut Driver or T-25 Torx bit. As shown in Fig 2.



Step 2: Install Lower Rod Clip & Retaining Clip

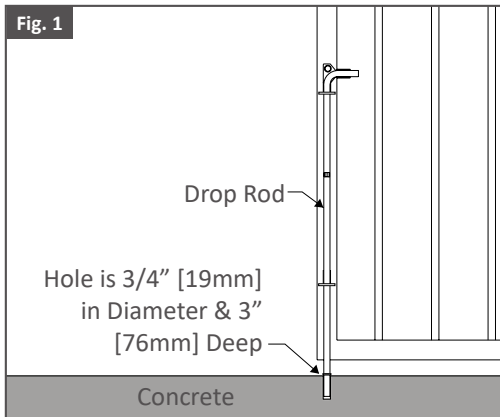
1. Insert the Drop Rod through the mounted Upper Rod Clip, then through the unmounted Lower Rod Clip. As shown in Fig 1 & 2.
2. With the Drop Rod in the up position, locate the Lower Rod Clip above the Retaining Clip notch in the drop rod. As shown in Fig 3.
3. Ensure that Drop Rod is Level.
4. Mark Location of Lower Rod Clip on Gate Upright. As shown in Fig 4.
5. Remove the Drop Rod then Install Lower Rod Clip with supplied self-drilling screws. As shown in Fig 5.
6. Once lower Rod Clip is installed, Re-insert the Drop Rod through in both Rod Clips.

7. Install the Retaining Clip into the Drop Rod using Channel Lock Pliers. As shown in Fig 6.



Step 3: Dig A Hole For The Drop Rod

1. Lower the Drop Rod so that it is resting on the concrete surface.
2. Mark hole location.
3. Using a 3/4" [19mm] Concrete drill bit, drill a 3" [76mm] deep hole below the Drop Rod when the gate is in the closed position. As shown in Fig 1.



CARE & MAINTENANCE

Care And Maintenance Of Fortress Building Products Powder-Coated Products And Surfaces:

- Immediately after installation of your Fortress Building Products, clean powder-coated products and surfaces with a solution of warm water and non-abrasive, pH neutral detergent solution. Surfaces should be thoroughly rinsed after cleaning to remove all residues. All surfaces should be cleaned using a soft cloth or sponge.
- Ensure construction materials such as concrete, plaster, and paint splashes are removed immediately before they have a chance to dry. Failure to remove these materials may cause damage to the powder-coated surfaces.
- The frequency of cleaning depends in part on the standard of appearance and also the requirements to remove deposits that may cause damage to the powder coating after prolonged exposure. Fortress recommends cleaning in three to four monthly intervals all products and powder-coated
- **WARNING: Do not use strong solvents such as thinners, or solutions containing chlorinated hydrocarbons, esters, or ketones. Abrasive cleaners or cutting compounds should not be used.**

WARRANTY

To obtain and review a copy of the warranty, please go to: <https://Fortressbp.com/warranties>. You can also contact: (844) 909-1999 or write to: Fortress Building Products Warranty, 1720 N 1st St, Garland, TX 75040 to obtain a copy of the warranty.



JOIN THE REVOLUTION.

FortressBP.com | 866.323.4766