

ENCLOSURE SYSTEM FENCING

NO LIMITS. KNOW BOUNDARIES.



PROVEN PERFORMANCE. SMARTER SOLUTIONS.
FortressBP.com | 866.323.4766



SURROUND YOURSELF WITH INNOVATION.

Made to coordinate with Fortress® Estate fence panels, the Estate Enclosure System uses a durable, welded steel frame with the privacy and rich beauty of wood or composite pickets. This easy-to-buy, easy-to-install fencing system comes in efficiently packaged kits. It is ideal for concealing unsightly multi-family or commercial trash receptacles. All you have to do is choose your size.

**WOOD/
COMPOSITE
PICKETS**

**CLEAN
WELDS**

**UPSCALE
PRIVACY**



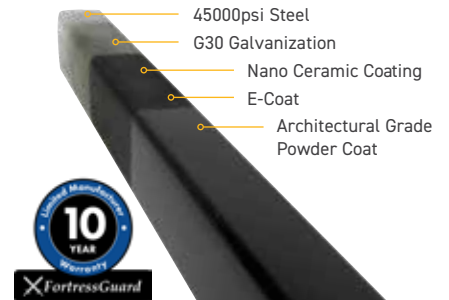
KEY FEATURES

- Reduced maintenance costs vs. standard wood fencing
- Pre-drilled rails with wood screws provided for each attachment
- Designed to accept 1" (25mm) x 6" (150mm) x 72" (1829mm) fence pickets
- Eco-friendly system
- Double and single enclosure kits available
- More cost effective than CMU alternative
- Customized to match walk and drive gates with any desired picket material
- Durable, welded steel frame
- Easy to install
- FortressGuard, 10-Year Warranty with E-coat
- 6" (150mm) Square Steel Bollards included with each system

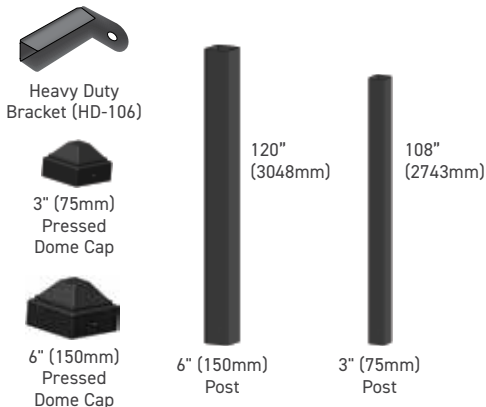
WARRANTY

10-Year Limited Manufacturer Warranty

We cover our products and the people who buy them. At Fortress, we don't just stand behind our work, we stand by your side.



POSTS & POST ACCESSORIES



PRO-SERIES GATE HARDWARE



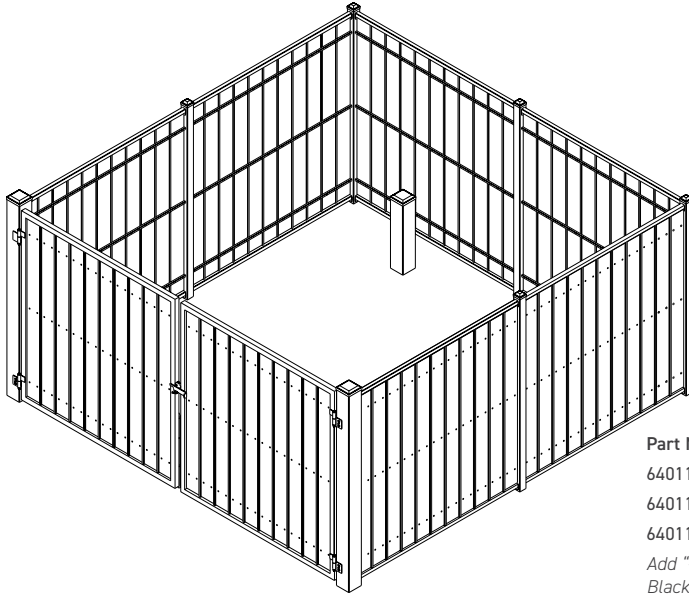
COLOR OPTIONS



PANEL & GATE STYLES

SINGLE ENCLOSURE SYSTEM

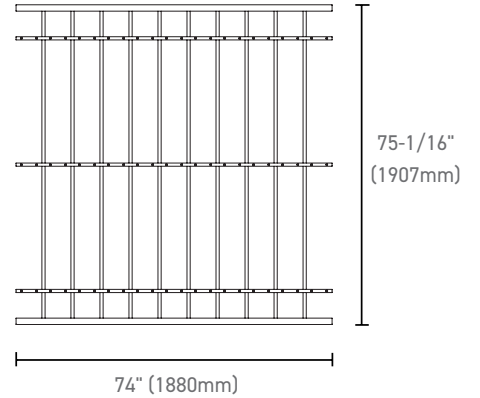
13' - 156" (396mm) x 13' - 156" (396mm)



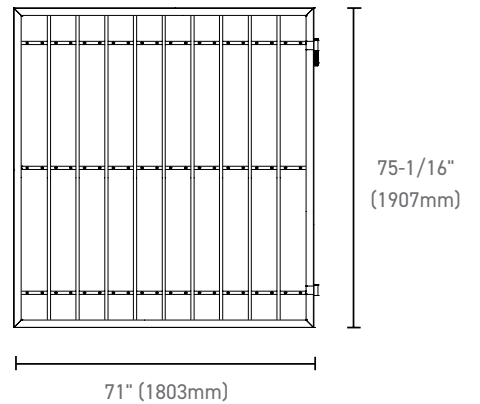
Part Numbers

- 640111-3 Palmetto Brown
- 640111-11 Sabal Grey
- 640111 No Fill Boards
- Add "-8" to part number for Black Sand

PANEL

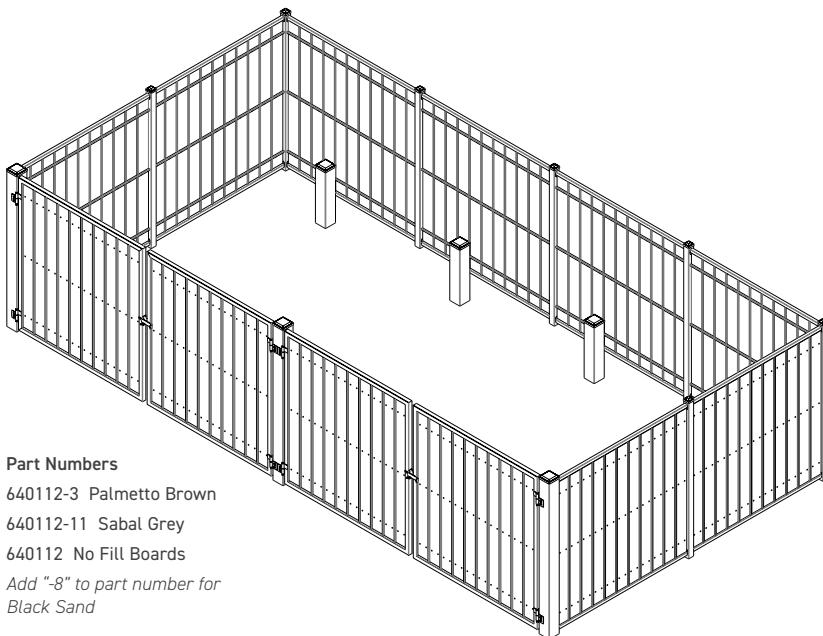


GATE



SINGLE ENCLOSURE SYSTEM

13' - 156" (396mm) x 25' - 300" (762mm)



Part Numbers

- 640112-3 Palmetto Brown
- 640112-11 Sabal Grey
- 640112 No Fill Boards
- Add "-8" to part number for Black Sand



FORTIFY THE FUTURE™

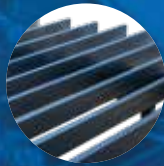
Our Commitment To You

Together we build a stronger tomorrow with smart, sustainable and socially responsible solutions.



PROVEN PERFORMANCE. SMARTER SOLUTIONS.™

Trust our durable, reliable, steel and aluminum products built on a spirit of innovation and tailored to meet your unique needs.



© 2024 Fortress Building Products. Unless otherwise noted, all proprietary names are trademarks of Fortress Iron, LP. All rights reserved.

FORTIFY THE FUTURE.

FortressBP.com | 866.323.4766