

EVOLUTION[™]

STEEL DECK FRAMING

Required Tools



Goggles



Safety
Gloves



Tape
Measurer



Speed
Square



Level
Tool



Pencil



Drill Bit:
3/16" [4.78mm]



Hex Head Nut
Driver Bits: 5/16"
10mm



Bit
Extender



Impact
Drill

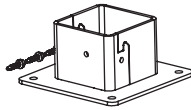


Clamps

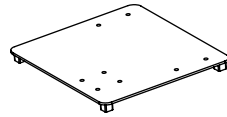
Components



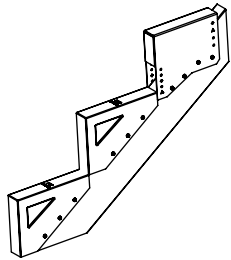
F-10 Bracket
QTY:2



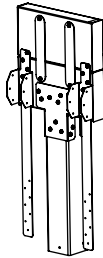
Post to
Pier Bracket
3 1/2" x 3 1/2"
QTY: 1



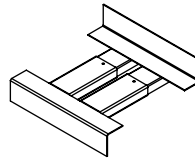
Stair Base
(16" OC)
QTY: 1



Stair Stringer Assembly
QTY:2



Post Assembly
QTY:1



Adjustable Stair Tray
QTY: 2

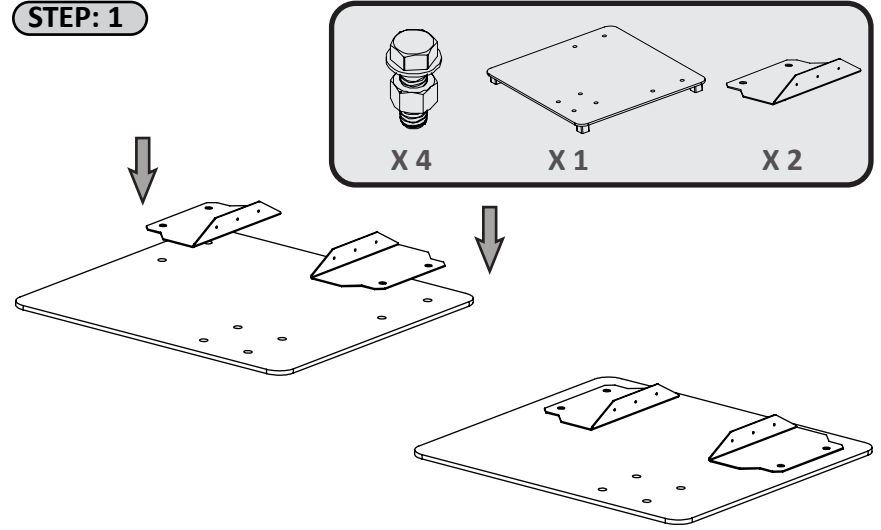


Evolution Self-drilling Screw
3/4" [19mm] #12

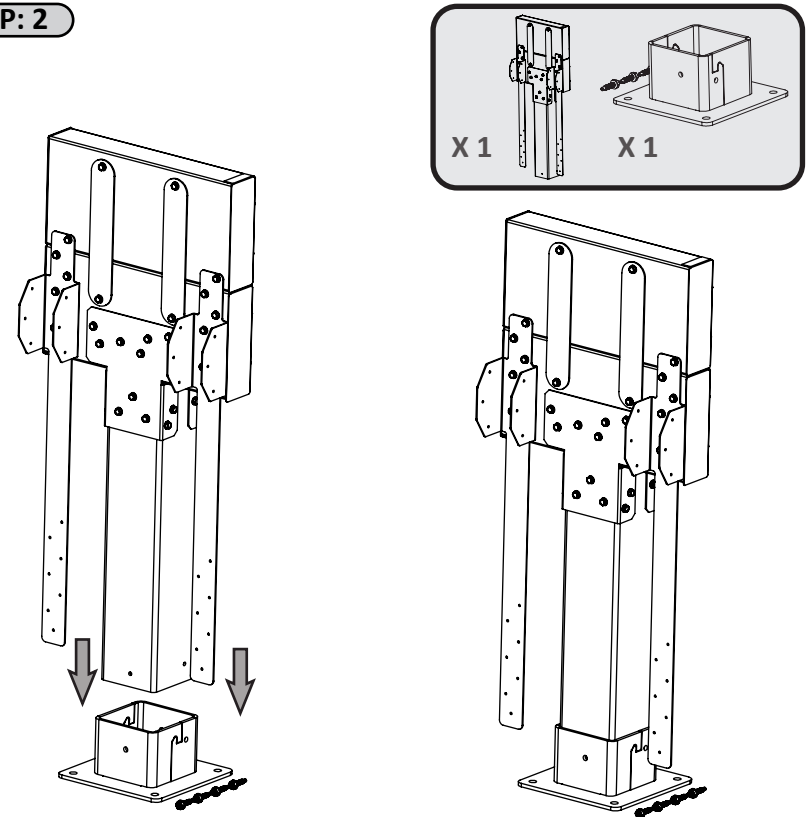


3/8" Nut Bolt and Washer
QTY:4

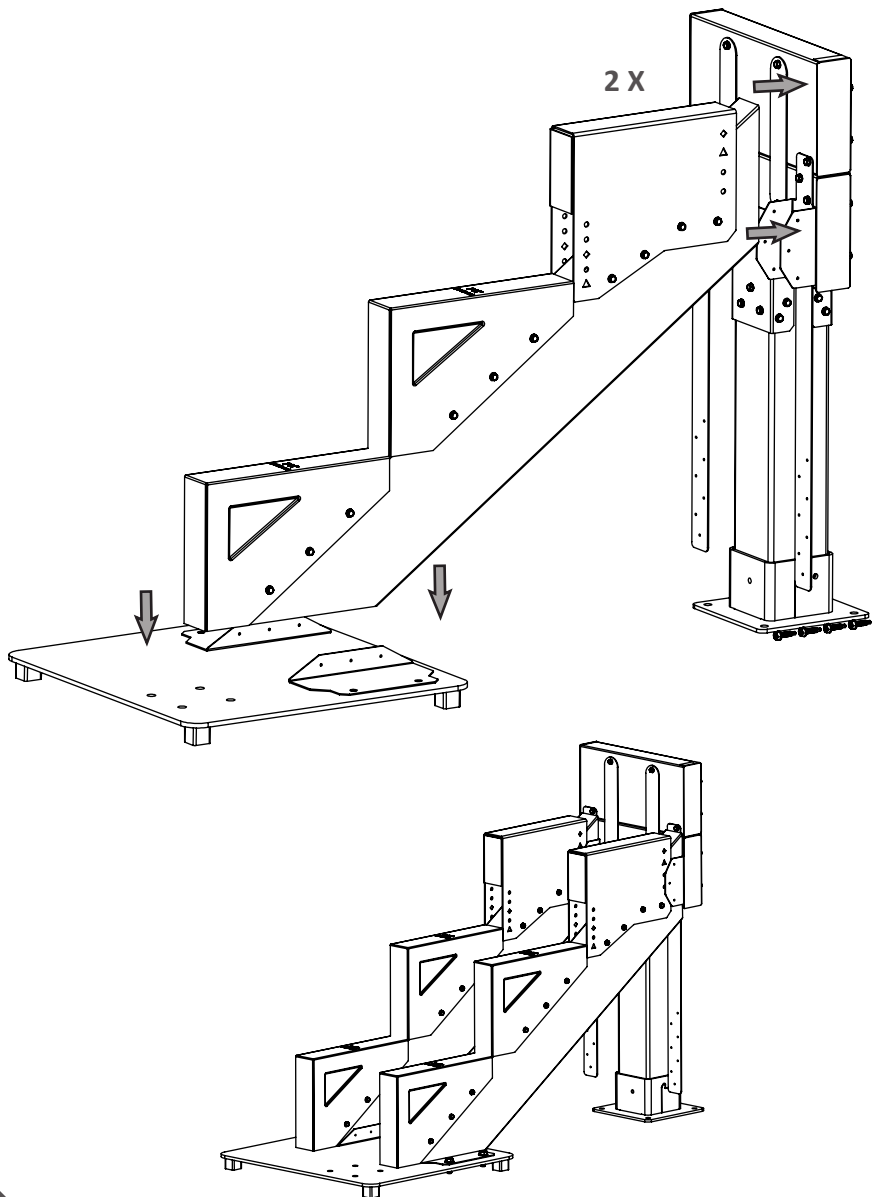
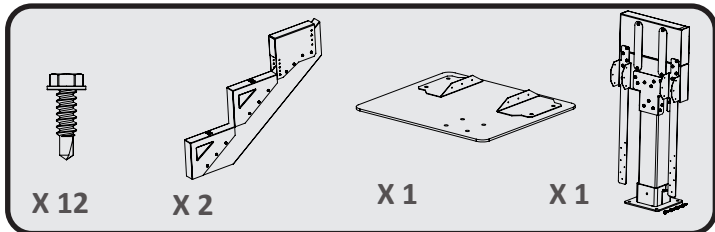
STEP: 1



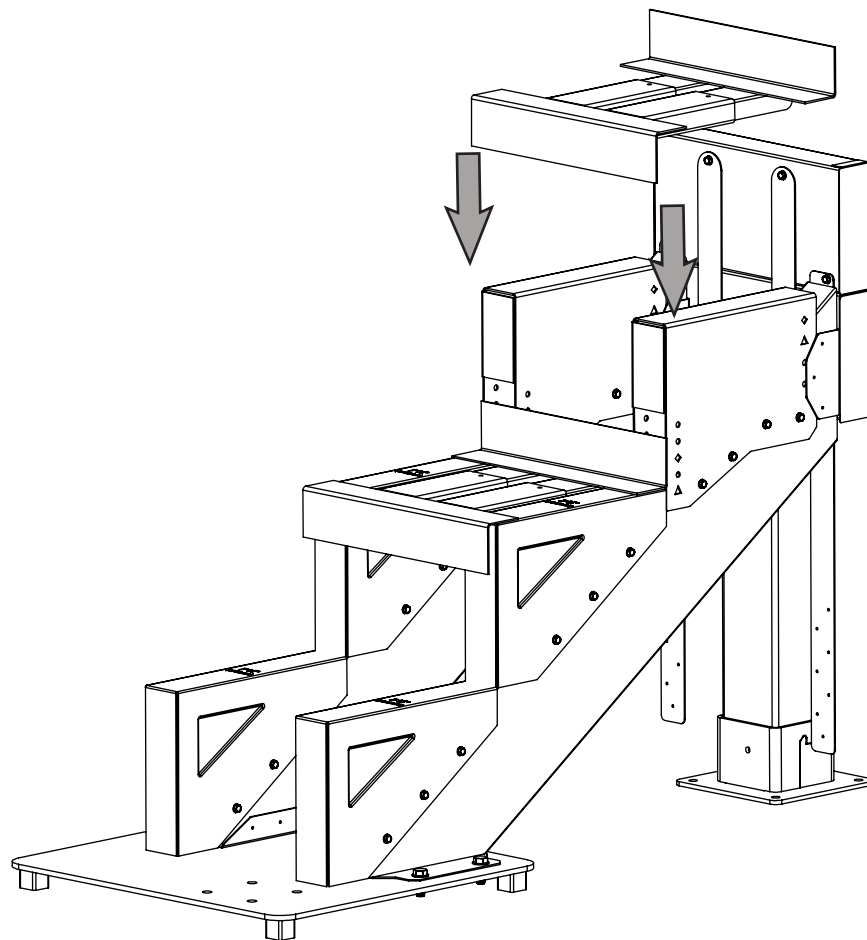
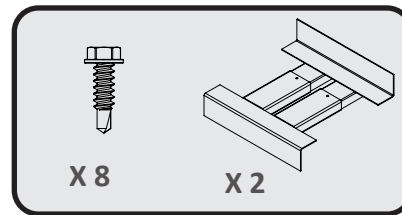
STEP: 2

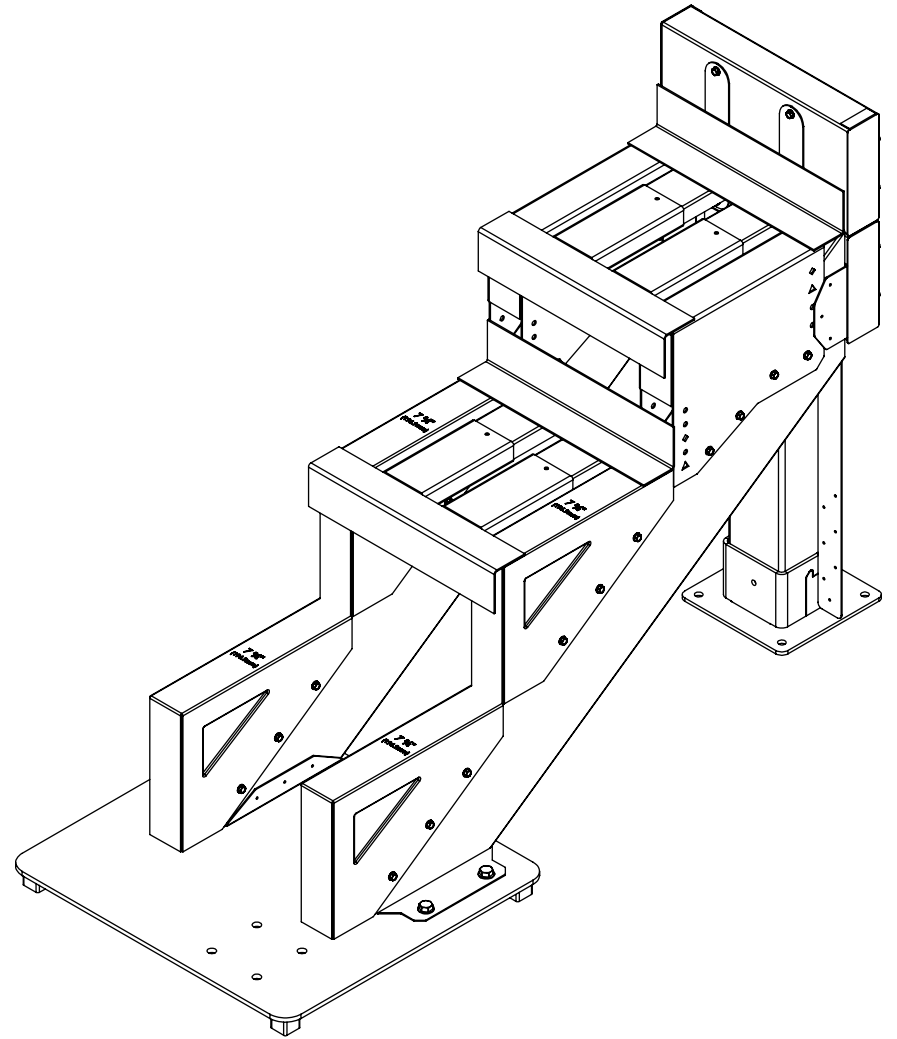
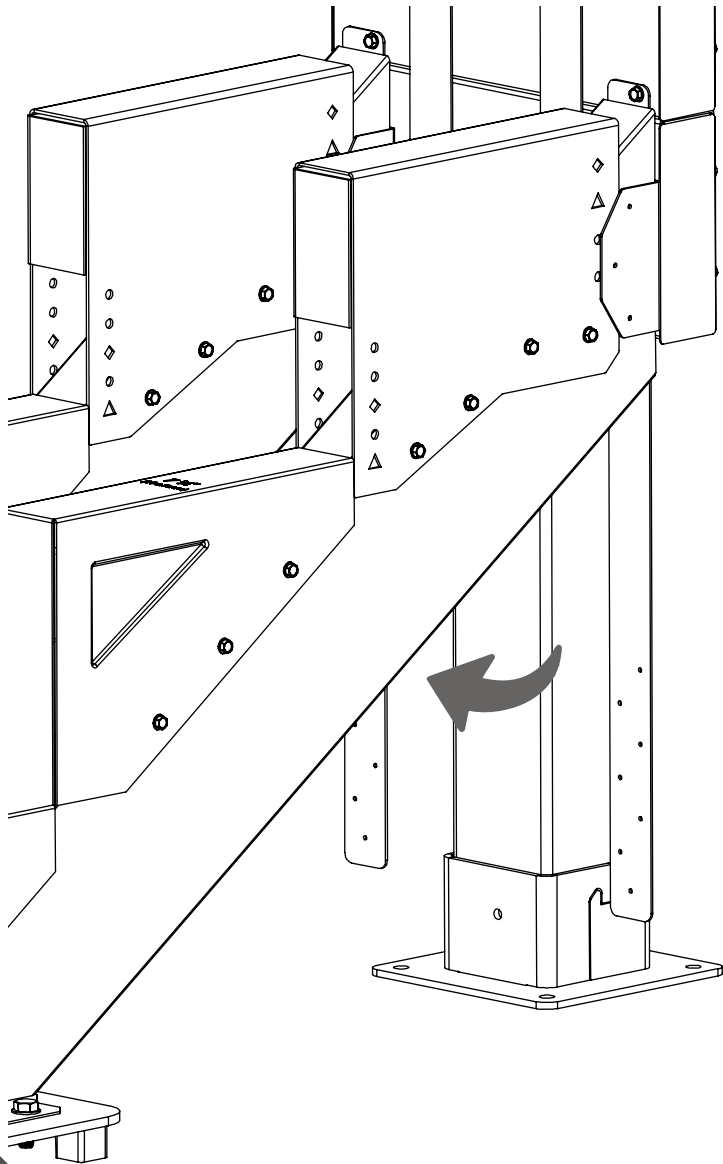
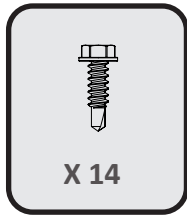


STEP: 3



STEP: 4







FORTIFY THE FUTURE.

FortressBP.com | 866.323.4766